

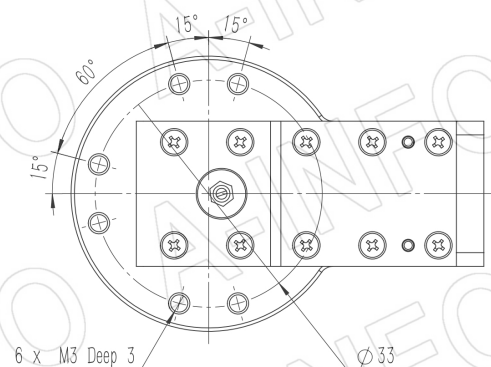
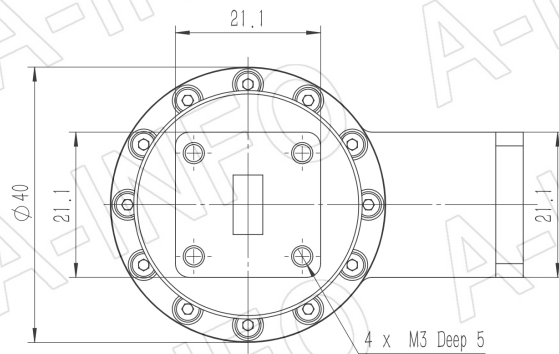
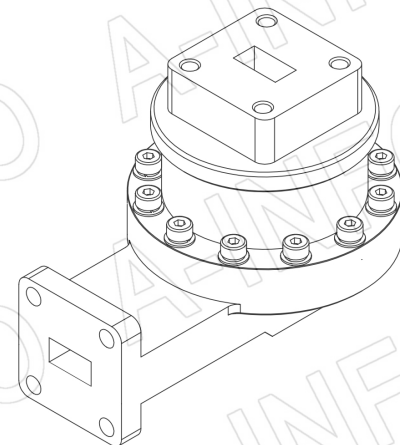
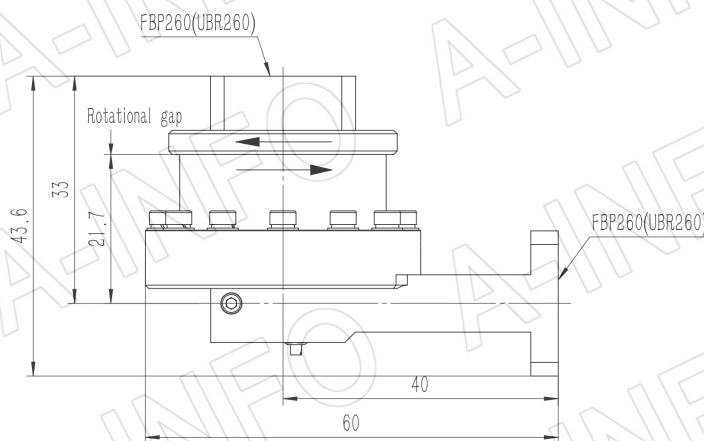
For reference only. See data sheet for the detailed specifications.

Technical Specification

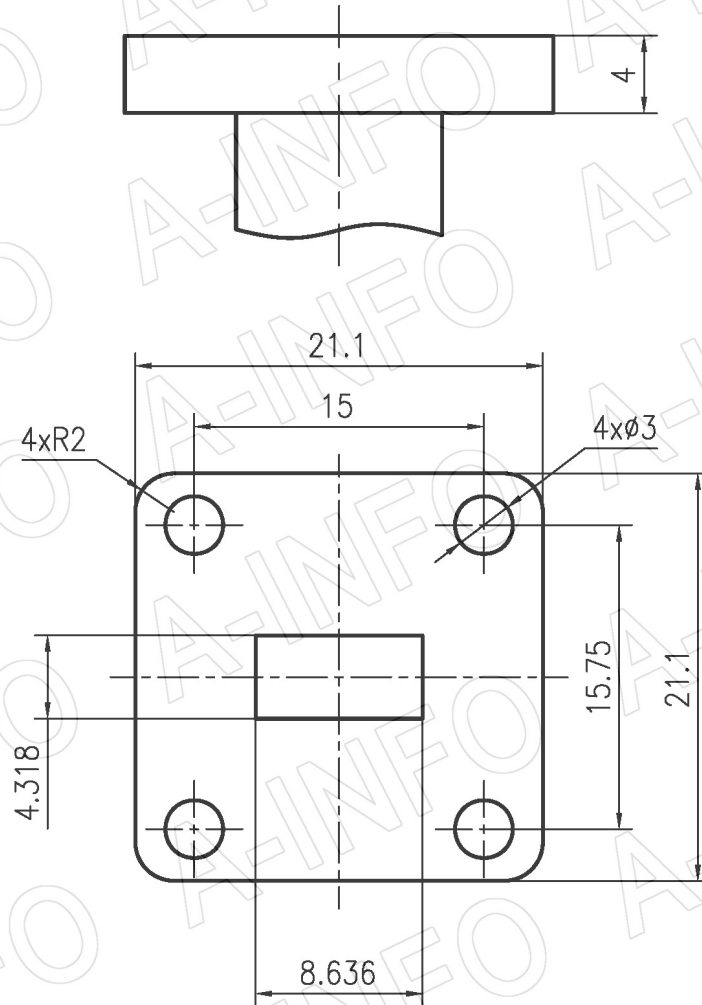


EIA WR	WR34
Frequency Range(GHz)	23.8 – 31.2
Insertion Loss(dB)	1.0 Max.
VSWR	1.40:1 Max.
Average Power(W CW)	30
Peak Power(KW)	0.3
Flange	FBP260(UBR260)
Material	Cu
Size(mm)	60 x 40 x 43.6
Net Weight(Kg)	0.25 Around

Outline Drawing (Size: mm)



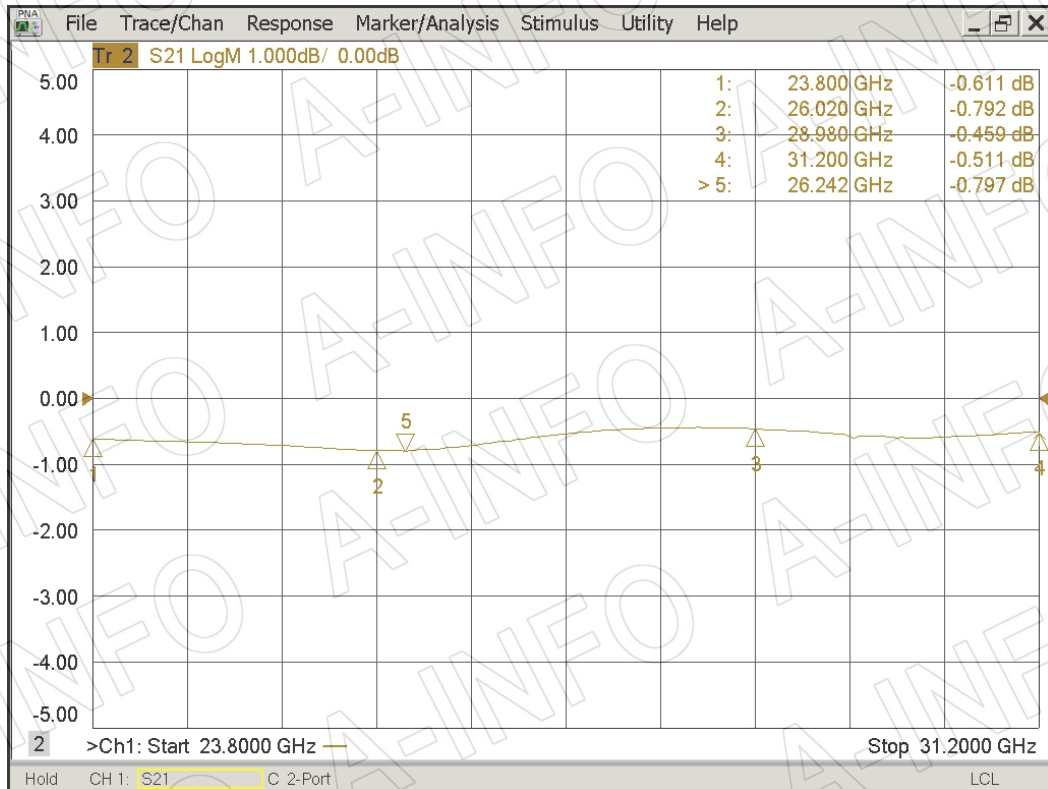
Flange Drawing (Size: mm)



FBP260

Test Results

I.L.



VSWR

